



DuPont™ Corian®



For 40 years, DuPont scientists and engineers have created beautiful, enduring surfaces that captivate the inner designer in every discriminating homeowner. And our surfaces are designed to work virtually everywhere in your home, from kitchens to baths to entertainment areas.

We're the people who pioneered the technology that makes DuPont™ Corian® the standard of beauty, durability and easy care. What's more, we continue to expand the palette to make certain you have the choices that suit your ideal living spaces.



corian.

Color Options

Sheet Products

Sinks

Small Single Sinks

Large Single Sinks

Double Sinks

Lavatories

Ready-To-Install Products

One-Piece Vanity Tops & Bowls

Ready-To-Install Tub and Shower Surround Kits

Installation/Accessories



corian.

Color Options

Sheet Products

	Standard Sheet					Wide Sheet	
	1/4"	1/4"	1/4"	1/2"	3/4"	1/4"	1/2"
	(6 mm)	(6 mm)	(6 mm)	(12 mm)	(19 mm)	(6 mm)	(12 mm)
inches	72 x 30	98 x 30	120.13 x 30	144 x 30	144 x 30	98 x 36.6	144 x 36.6
(mm)	1829 x 762	2,490 x 762	3051 x 762	3658 x 762	3,658 x 762	2,490 x 930	2,658 x 930
Abalone				●			
Acorn				●			
Adobe ¹				●			
Antarctica				●			
Anthracite				●			
Aqualite ⁴				●			
Arctic Blueberry				●			
Arctic Ice				●			
Arctic Lime				●			
Arctic Mint				●			
Arctic Strawberry				●			
Aurora		●		●		●	●
Aztec Gold ³				●			
Azurite ⁴				●			
Bethany				●			
Bisque		●		●			
Blue Pebble				●			
Blueberry Ice		●		●			
Bronze Patina ¹				●			
Bronzite ⁴				●			
Burled Beach ³				●			
Cameo White		●		●	●	●	●
Canvas ²				●			
Canyon				●			
Chamois ³				●			
Cinnabar ²				●			
Cirrus White ³				●			
Clam Shell ³				●			
Cobalt ¹				●			
Cocoa Brown				●			
Concrete ²				●			
Copperite ⁴				●			
Cottage Lane				●			
Designer White				●			
Doeskin				●			
Dove ²				●			
Earth ³				●			
Ecru ³				●			
Elderberry ^{1,3}				●			
Fawn ²				●			
Flint				●			
Fossil				●			
Glacier Ice		●		●			

Continued on back

¹ Dark Colors require additional care to maintain the original finish.

² This color contains large, randomly distributed particles

³ This color contains random veining throughout the pattern

⁴ Metallic color's unique properties change appearance of color and brightness when viewed from different angles and lighting conditions.

Green Type indicates Terra Collection

For price categories, please visit countertops.dupont.com.

Helpful hints on selecting finishes:

- matte is easier to maintain than gloss
- lighter colors look better in matte
- darker colors look better in semi-gloss or gloss



corian.

Color Options

Sheet Products

	Standard Sheet					Wide Sheet	
	1/4"	1/4"	1/4"	1/2"	3/4"	1/4"	1/2"
	(6 mm)	(6 mm)	(6 mm)	(12 mm)	(19 mm)	(6 mm)	(12 mm)
inches	72 x 30	98 x 30	120.13 x 30	144 x 30	144 x 30	98 x 36.6	144 x 36.6
(mm)	1829 x 762	2,490 x 762	3051 x 762	3658 x 762	3,658 x 762	2,490 x 930	2,658 x 930
Glacier White	●	●	●	●	●	●	●
Granola				●			
Graphic Blue				●			
Gray Fieldstone ²				●			
Graylite ⁴				●			
Green Tea				●			
Hot				●			
Jasmine ³				●			
Juniper ³				●			
Lava Rock ³				●			
Lilac				●			
Lime Ice		●		●			
Linen	●	●	●	●			
Mandarin				●			
Mardi Gras				●			
Matterhorn				●			
Maui				●			
Medea				●			
Mint Ice		●		●			
Mojave				●			
Moss				●			
Natural Gray ³				●			
Night Sky ¹				●			
Nocturne ¹				●			
Oat				●			
Olivite ⁴				●			
Pine				●			
Platinum				●			
Pompeii Red ¹				●			
Raffia ²				●			
Rain Cloud ³				●			
Rice Paper				●			
Riviera				●			
Rosemary ³				●			
Saffron ³				●			
Sagebrush ³				●			
Sahara				●			
Sand				●			
Sandalwood ³				●			
Sandstone		●		●		●	
Savannah				●			
Serene Sage ²				●			
Shale ¹				●			

¹ Dark Colors require additional care to maintain the original finish.

² This color contains large, randomly distributed particles

³ This color contains random veining throughout the pattern

⁴ Metallic color's unique properties change appearance of color and brightness when viewed from different angles and lighting conditions.

Green Type indicates Terra Collection

For price categories, please visit countertops.dupont.com.

C952-H56360-3 (Rev. 1/10)

Helpful hints on selecting finishes:

- matte is easier to maintain than gloss
- lighter colors look better in matte
- darker colors look better in semi-gloss or gloss



corian.

Color Options

Sheet Products

	Standard Sheet					Wide Sheet	
	1/4"	1/4"	1/4"	1/2"	3/4"	1/4"	1/2"
	(6 mm)	(6 mm)	(6 mm)	(12 mm)	(19 mm)	(6 mm)	(12 mm)
inches	72 x 30	98 x 30	120.13 x 30	144 x 30	144 x 30	98 x 36.6	144 x 36.6
(mm)	1829 x 762	2,490 x 762	3051 x 762	3658 x 762	3,658 x 762	2,490 x 930	2,658 x 930
Silt ¹				●			
Silver Birch				●			
Silverite ⁴				●			
Slate ³				●			
Sonora				●			
Sorrel ^{3, 4}				●			
Stone Harbor				●			
Strawberry Ice		●		●			
Suede ²				●			
Sun				●			
Tarragon				●			
Thyme ³				●			
Tranquil ²				●			
Tumbleweed ³				●			
Vanilla		●		●			
Venaro White ³		●		●			
Verde ³				●			
Whisper ²				●			
White Jasmine ²				●			
Willow				●			
Witch Hazel ³				●			

¹ Dark Colors require additional care to maintain the original finish.

² This color contains large, randomly distributed particles

³ This color contains random veining throughout the pattern

⁴ Metallic color's unique properties change appearance of color and brightness when viewed from different angles and lighting conditions.

Green Type indicates Terra Collection

For price categories, please visit countertops.dupont.com.

C952-H56360-3A (Rev. 1/10)

Helpful hints on selecting finishes:

- matte is easier to maintain than gloss
- lighter colors look better in matte
- darker colors look better in semi-gloss or gloss



corian.

Classic Color Options

Sheet Products

	1/4"	1/2"
	(6 mm)	(12 mm)
inches	98 x 30	144 x 30
(mm)	2,490 x 762	3658 x 762
Aruba		●
Atlantis ¹		●
Beige Fieldstone ²		●
Black Quartz		●
Bone	●	●
Burnt Amber		●
Camel ³		●
Caribbean		●
Delta Sand		●
Dusk		●
Eclipse		●
Everest		●
Festival		●
Gravel		●
Macadam ¹		●
Mediterranean		●
Midnight		●
Mont Blanc		●
Oyster		●
Pepper Ivory		●
Prairie		●
Raw Silk		●
Rye		●
Stone Washed		●
Terra		●
Tumbled Glass		●
Whitecap		●
Winter Wheat ¹		●

¹Dark Colors require additional care to maintain the original finish.

²This color contains large, randomly distributed particles



corian.



Vertical, Horizontal Applications

Enjoy the ultimate in design flexibility for remodeling and new construction projects.

- ▶ Offers design versatility—can be cut, shaped, and thermoformed
- ▶ Join sheets together with *Joint Adhesive for DuPont™ Corian®*—create a sheet of any size
- ▶ Can be used in vertical applications, including wall cladding and wet walls
- ▶ 1/4" (6mm) sheet is recommended for vertical use only.
- ▶ Can be used in horizontal applications, including countertops, vanity tops, desktops, islands, tabletops, laboratory tops, workstations and windowsills
- ▶ Custom sizes available. Minimum order quantity - 48 sheets
- ▶ Custom colors available. Minimum order quantity - 1 sheets
- ▶ See *Color Options* Section for available colors



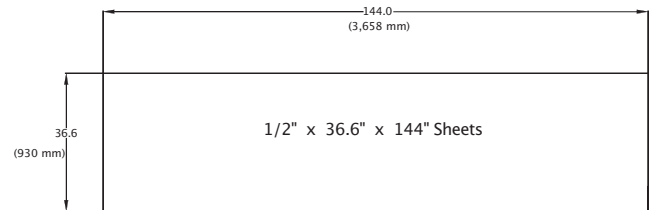
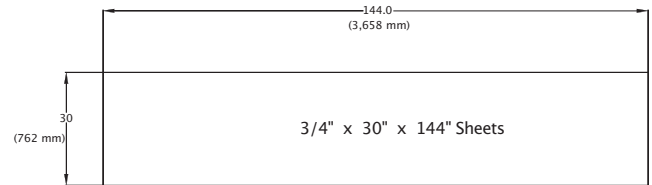
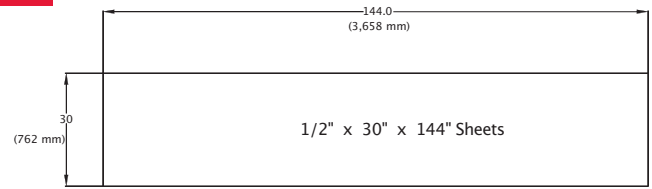
Continued on back

corian.

1/4", 1/2", 3/4" Sheets

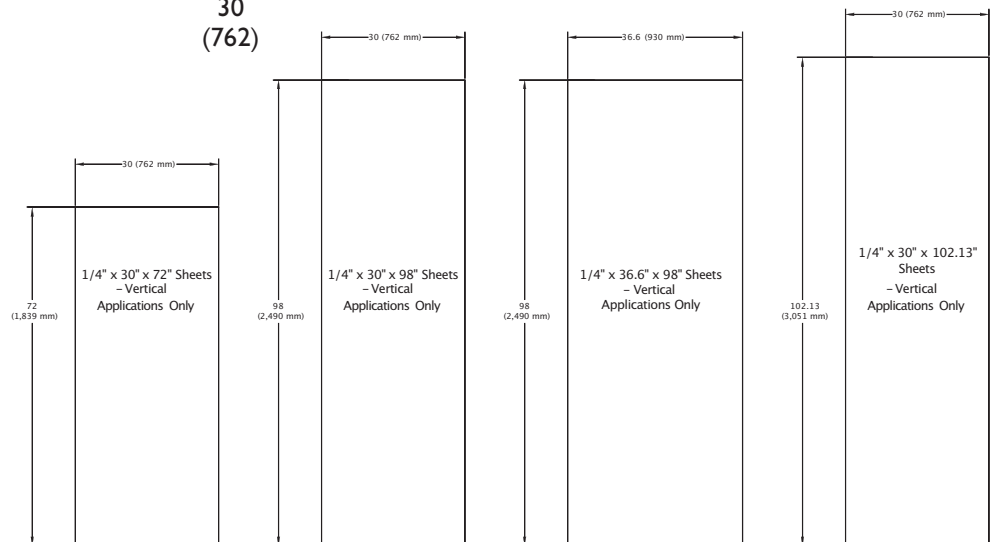
HORIZONTAL OR VERTICAL APPLICATIONS (1/2", 3/4")

	Length	×	Width
1/2" (12 mm) SHEET			
inches	144		30
(mm)	(3,658)		(762)
inches	144		36.6
(mm)	(3,658)		(930)
3/4" (19 mm) SHEET			
inches	144		30
(mm)	(3,658)		(762)



VERTICAL APPLICATIONS ONLY (1/4")

	Length	×	Width
1/4" (6 mm) SHEET			
inches	72		30
(mm)	(1,839)		(762)
inches	98		30
(mm)	(2,490)		(762)
inches	98		36.6
(mm)	(2,490)		(930)
inches	102.13		30
(mm)	(3,051)		(762)



For availability of a specific length, thickness and/or color, call your local Authorized Distributor or contact DuPont directly www.countertops.dupont.com, or 1-800-4-CORIAN (1-800-426-7426).

Metric conversions are approximate.

SpecStrip Program

- ▶ Custom order
- ▶ Custom-cut profile
- ▶ Most standard colors of Corian®

PROGRAM OVERVIEW

PRODUCT SPECIFICATIONS

- 144" lengths only
- ½" and ¾" thicknesses (where available)

AVAILABLE COLORS

Excluding Private Collection, Metallic, and Illumination Colors

ONE SPECSTRIP PACKAGE CONTAINS:

(1) 30" × 144" cut sheet. Cut profile is specified at order time according to the following guidelines:

- Up to 18 cuts allowed per sheet
- Minimum single strip width of 1½" ± ⅛"
- Maximum single strip width of 15" ± ⅛"

ORDER GUIDELINES

- Custom order
- Order by the single sheet
- Minimum order quantity is four (4) sheets
- Any color combination

¹Aztec Gold, Burlled Beach, Chamois, Cinnabar, Cirrus White, Clam Shell, Earth, Ecu, Egyptian Copper, Elderberry, Jasmine, Juniper, Lava Rock, Natural Gray, Rain Cloud, Rosemary, Saffron, Sagebrush, Sandalwood, Slate, Sonora, Sorrel, Thyme, Tumbleweed, Verde, Witch Hazel, Aqualite, Olivite, Azurite, Silverite, Sorrel, Graylite, Bronzite, Copperite, Designer White, Arctic Ice, Glacier Ice, Arctic Lime, Lime Ice, Arctic Strawberry, Strawberry Ice, Arctic Mint, Mint Ice, Arctic Blueberry, Blueberry Ice.

C952-H56360-5 (Rev. 12/09)



corian.

Sinks

Color Options

	Bisque	Bone	Cameo White	Glacier White	Vanilla
Small Single Sinks					
802	●	●	●	●	●
809	●	●	●	●	●
Large Single Sinks					
804	●	●	●	●	●
805	●	●	●	●	●
859	●	●	●	●	●
871	●	●	●	●	●
881	●	●	●	●	●
901	●	●	●	●	●
965	●	●	●	●	
966	●	●	●	●	
Double Sinks					
850	●	●	●	●	●
872	●	●	●	●	●
873	●	●	●	●	●
874	●	●	●	●	●
902	●	●	●	●	●



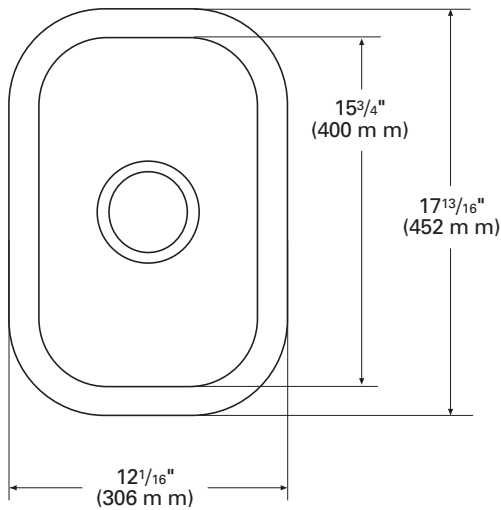
corian.

802

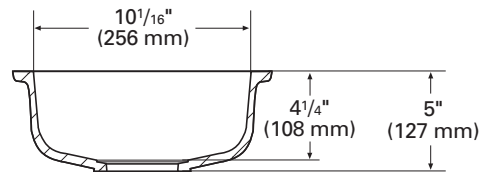
Small Single Sink

This small, versatile sink works well on its own or with other Corian® sinks in the kitchen and entertainment areas.

- ▶ Designed for residential or commercial applications
- ▶ See *Color Options* page at the beginning of Sinks Section for available colors



TOP VIEW



FRONT CROSS-SECTION

802 (SEAMED UNDERMOUNT)

INSIDE SINK DIMENSIONS

	Length	×	Width	×	Depth
inches	10 ¹ / ₁₆		15 ³ / ₄		4 ¹ / ₄
(mm)	(256)		(400)		(108)

For an explanation of installation options, see *Installation/Accessories*.

All drain holes in sinks are nominally 3¹/₂" in diameter and accept all standard drain hardware, including waste disposal units.

Metric conversions are approximate.



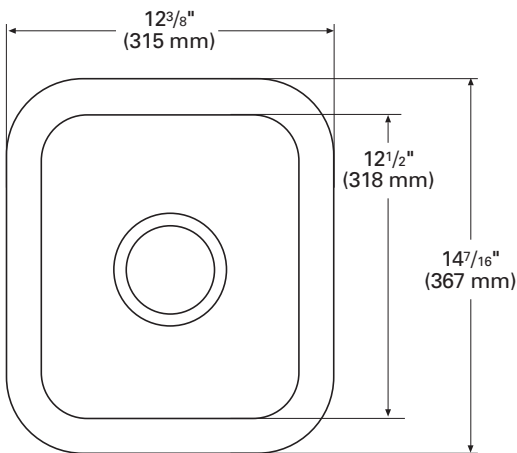
corian.

809

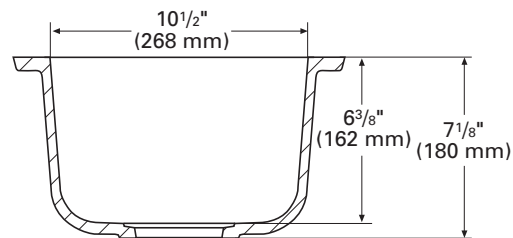
Small Single Sink

With its compact design, this sink is the ideal choice when space is a consideration.

- ▶ Can be used for countertop or wet bar installations
- ▶ See *Color Options* page at the beginning of Sinks Section for available colors



TOP VIEW



FRONT CROSS-SECTION

809 (SEAMED UNDERMOUNT)

INSIDE SINK DIMENSIONS

	Length	×	Width	×	Depth
inches	10½		12½		6⅜
(mm)	(268)		(318)		(162)

For an explanation of installation options, see *Installation/Accessories*.

All drain holes in sinks are nominally 3½" in diameter and accept all standard drain hardware, including waste disposal units.

Metric conversions are approximate.



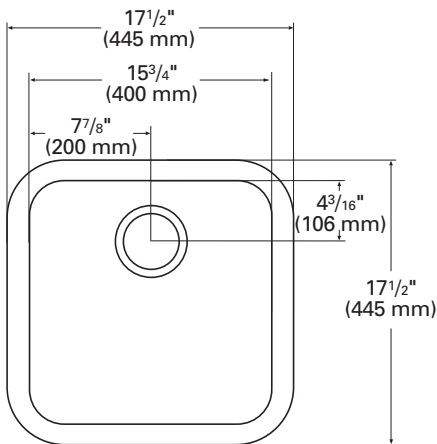
corian.

804

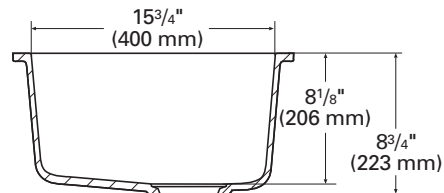
Large Single Sink

There's room to spare when you choose this beautiful, yet hardworking sink.

- ▶ Features a deep, square design
- ▶ Use alone or with other Corian® sinks
- ▶ See *Color Options* page at the beginning of Sinks Section for available colors



TOP VIEW



SIDE CROSS-SECTION

804 (SEAMED UNDERMOUNT)

INSIDE SINK DIMENSIONS

	Length	×	Width	×	Depth
inches	15 ³ / ₄		15 ³ / ₄		8 ¹ / ₈
(mm)	(400)		(400)		(206)

For an explanation of installation options, see *Installation/Accessories*.

All drain holes in sinks are nominally 3¹/₂" in diameter and accept all standard drain hardware, including waste disposal units.

Metric conversions are approximate.



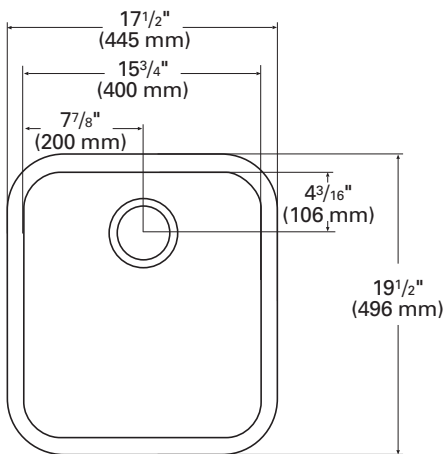
corian.

805

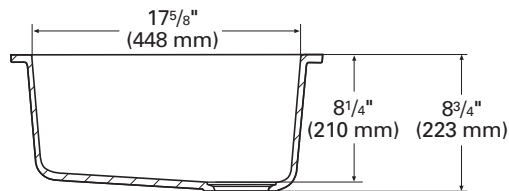
Large Single Sink

Put this spacious, rectangular sink to work in a busy kitchen or commercial area.

- ▶ Features extra-large bowl with a unique, yet functional design
- ▶ Can be installed on its own or with other Corian® sinks
- ▶ See *Color Options* page at the beginning of Sinks Section for available colors



TOP VIEW



SIDE CROSS-SECTION

805 (SEAMED UNDERMOUNT)

INSIDE SINK DIMENSIONS

	Length	×	Width	×	Depth
inches	15 ³ / ₄		17 ⁵ / ₈		8 ¹ / ₄
(mm)	(400)		(448)		(210)

For an explanation of installation options, see *Installation/Accessories*.

All drain holes in sinks are nominally 3¹/₂" in diameter and accept all standard drain hardware, including waste disposal units.

Metric conversions are approximate.



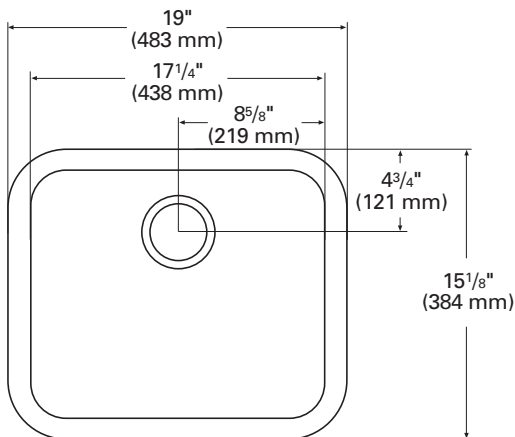
corian.

859

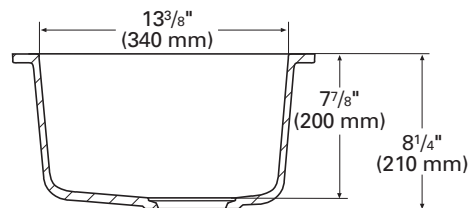
Large Single Sink

This conventional, large sink is a popular choice for the kitchen.

- ▶ Offers spacious, rectangular design
- ▶ Can be installed on its own or with other Corian® sinks
- ▶ See *Color Options* page at the beginning of Sinks Section for available colors



TOP VIEW



SIDE CROSS-SECTION

859 (SEAMED UNDERMOUNT)

INSIDE SINK DIMENSIONS

	Length	×	Width	×	Depth
inches	17 ¹ / ₄		13 ³ / ₈		7 ⁷ / ₈
(mm)	(438)		(340)		(200)

For an explanation of installation options, see *Installation/Accessories*.

All drain holes in sinks are nominally 3¹/₂" in diameter and accept all standard drain hardware, including waste disposal units.

Metric conversions are approximate.



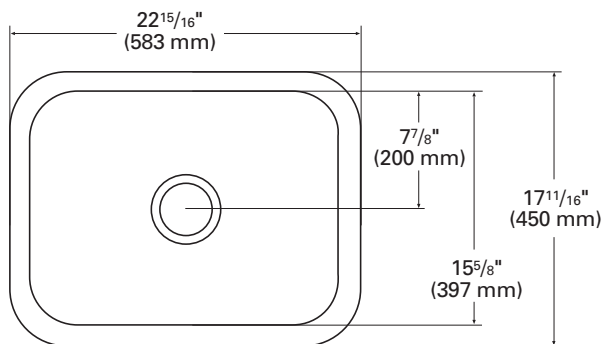
corian.

871

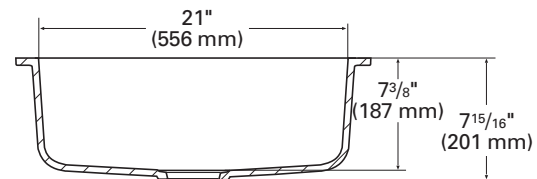
Large Single Sink

Elegant and roomy, this sink is a great addition to any home or workspace.

- ▶ See *Color Options* page at the beginning of Sinks Section for available colors
- ▶ Combine with the 802 to create your own custom double-bowl installation



TOP VIEW



FRONT CROSS-SECTION

871 (SEAMED UNDERMOUNT)

INSIDE SINK DIMENSIONS

	Length	×	Width	×	Depth
inches	21		15 $\frac{5}{8}$		7 $\frac{3}{8}$
(mm)	(556)		(397)		(187)

For an explanation of installation options, see *Installation/Accessories*.

All drain holes in sinks are nominally 3 $\frac{1}{2}$ " in diameter and accept all standard drain hardware, including waste disposal units.

Metric conversions are approximate.



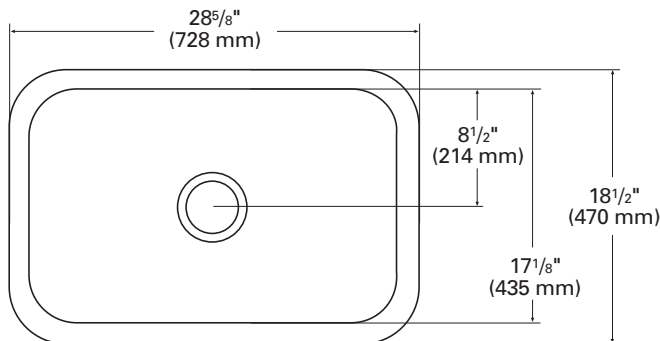
corian.

881

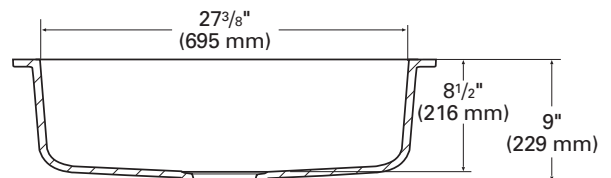
Large Single Sink

Our largest single sink is perfect for any environment.

- ▶ Offers spacious rectangular design
- ▶ Designed for residential or commercial applications
- ▶ See *Color Options* page at the beginning of Sinks Section for available colors



TOP VIEW



FRONT CROSS-SECTION

881 (SEAMED UNDERMOUNT)**INSIDE SINK DIMENSIONS**

	Length	×	Width	×	Depth
inches	27 ³ / ₈		17 ¹ / ₈		8 ¹ / ₂
(mm)	(695)		(435)		(216)

For an explanation of installation options, see *Installation/Accessories*.

All drain holes in sinks are nominally 3¹/₂" in diameter and accept all standard drain hardware, including waste disposal units.

Metric conversions are approximate.



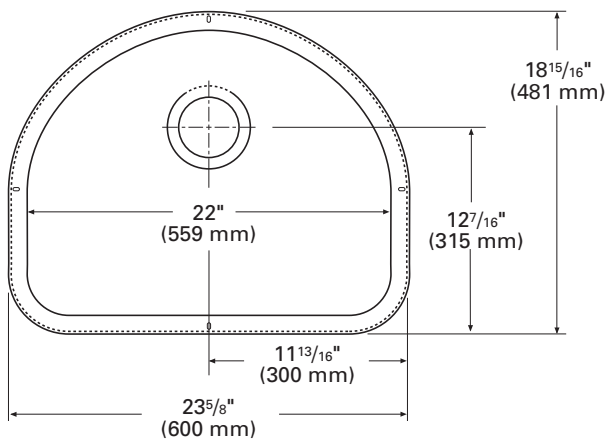
corian.

901

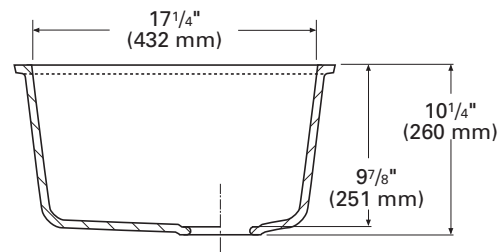
Large Single Sink

A stylish, elegant alternative to traditional square or rectangular sinks.

- ▶ “D” shape and extra depth bring elegance and performance to any kitchen design
- ▶ Use alone or in combination with other Corian® sinks
- ▶ Total depth is greater than 10" when undermounted
- ▶ Fits into a 24" or larger base cabinet
- ▶ See *Color Options* page at the beginning of Sinks Section for available colors



TOP VIEW



SIDE CROSS-SECTION

901 (SEAMED UNDERMOUNT)

INSIDE SINK DIMENSIONS

	Length	×	Width	×	Depth
inches	22		17¼		9⅞
(mm)	(559)		(432)		(251)

For an explanation of installation options, see *Installation/Accessories*.

All drain holes in sinks are nominally 3½" in diameter and accept all standard drain hardware, including waste disposal units.

Metric conversions are approximate.



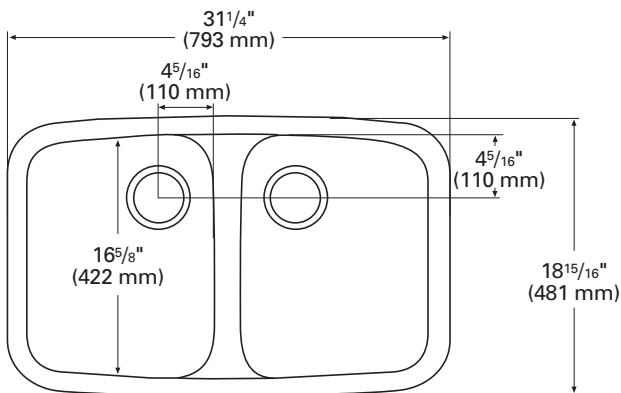
corian.

850

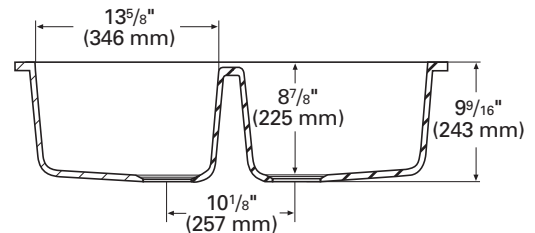
Double Sink

Equal-sized double sinks bring simple elegance and practicality to your kitchen design.

- ▶ Steeper sidewalls increase sink volume and work area at the base
- ▶ Depth increases to 9½" when undermounted
- ▶ Rounded and recessed bull-nose divider separates sinks
- ▶ Fits into a 33" or larger base cabinet
- ▶ See *Color Options* page at the beginning of Sinks Section for available colors



TOP VIEW



FRONT CROSS-SECTION

850 (SEAMED UNDERMOUNT)

INSIDE SINK DIMENSIONS

	Length	×	Width	×	Depth
inches	13 ⁵ / ₈		16 ⁵ / ₈		8 ⁷ / ₈
(mm)	(346)		(422)		(225)

For an explanation of installation options, see *Installation/Accessories*.

All drain holes in sinks are nominally 3½" in diameter and accept all standard drain hardware, including waste disposal units.

Metric conversions are approximate.



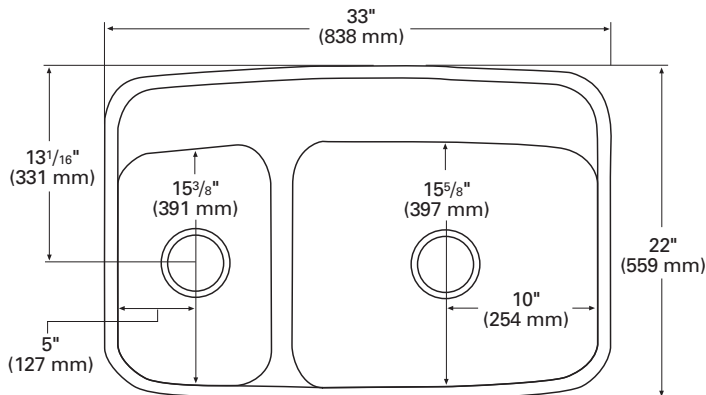
corian.

872

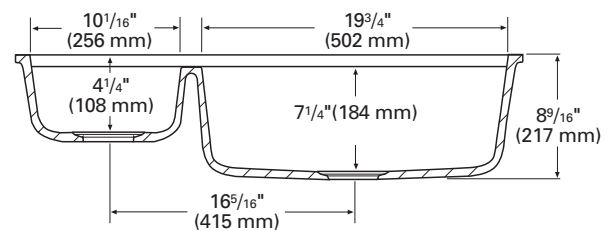
Double Sink

This versatile double sink can be placed anywhere—counter or island.

- ▶ Full-length faucet deck allows for a variety of fixtures and fixture placement
- ▶ Features an ample full-size sink plus a food preparation sink
- ▶ Fits into a 33" or larger base cabinet
- ▶ See *Color Options* page at the beginning of Sinks Section for available colors



TOP VIEW



FRONT CROSS-SECTION

872 (SEAMED UNDERMOUNT)

INSIDE SINK DIMENSIONS

	Length	×	Width	×	Depth
inches	9 ⁷ / ₈		15 ³ / ₈		4 ¹ / ₄
(mm)	(251)		(391)		(108)
inches	19 ³ / ₄		15 ⁵ / ₈		7 ¹ / ₄
(mm)	(502)		(397)		(184)

For an explanation of installation options, see *Installation/Accessories*.

All drain holes in sinks are nominally 3¹/₂" in diameter and accept all standard drain hardware, including waste disposal units.

Metric conversions are approximate.



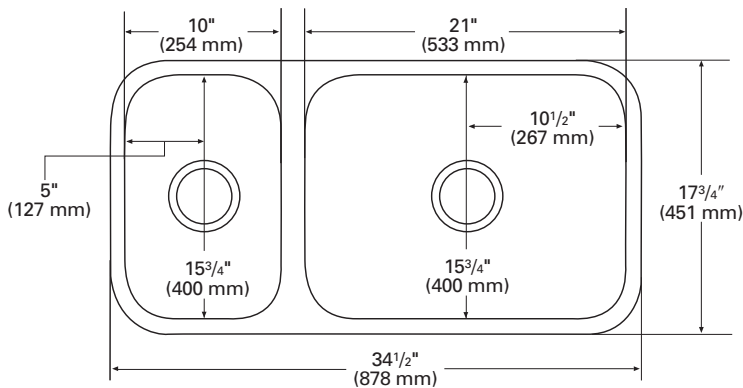
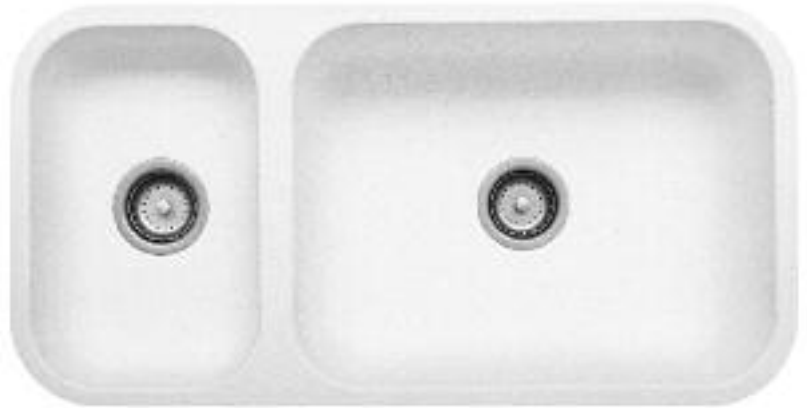
corian.

873

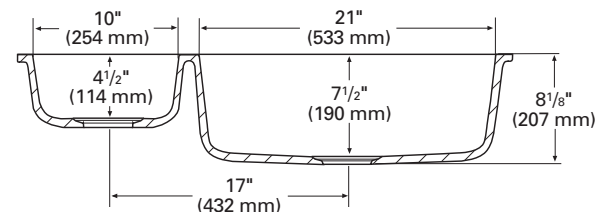
Double Sink

An ample, full-size sink plus food preparation sink offer limitless design possibilities.

- ▶ Workable sink easily accommodates a wok or large pan
- ▶ Reversible design allows small sink to be placed on either the right or left side
- ▶ Seamed undermount installation gives the appearance of two separate sinks
- ▶ Fits into a 36" or larger base cabinet
- ▶ See *Color Options* page at the beginning of Sinks Section for available colors



TOP VIEW



FRONT CROSS-SECTION

873 (SEAMED UNDERMOUNT)

INSIDE SINK DIMENSIONS

	Length	×	Width	×	Depth
inches	10		15 ³ / ₄		4 ¹ / ₂
(mm)	(254)		(400)		(114)
inches	21		15 ³ / ₄		7 ¹ / ₂
(mm)	(533)		(400)		(190)

For an explanation of installation options, see *Installation/Accessories*.

All drain holes in sinks are nominally 3¹/₂" in diameter and accept all standard drain hardware, including waste disposal units.

Metric conversions are approximate.



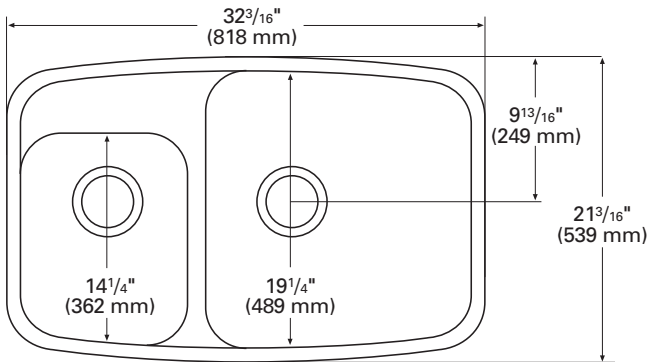
corian.

874

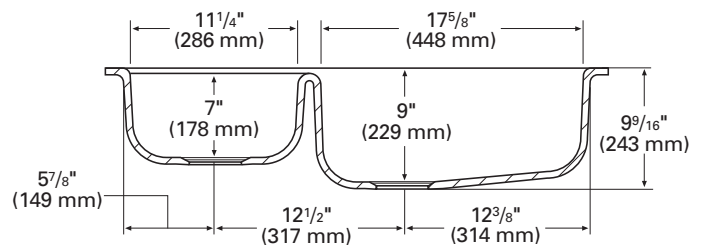
Double Sink

This side-by-side, small- and large-sink configuration balances beauty with practicality.

- ▶ Depth increases to 9½" when undermounted
- ▶ Flat-bottom surface increases available work area
- ▶ Recessed spillway catches water overflow
- ▶ Recessed, self-draining faucet deck means easy cleanup
- ▶ Fits into a 33" or larger base cabinet
- ▶ See *Color Options* page at the beginning of Sinks Section for available colors



TOP VIEW



FRONT CROSS-SECTION

874 (SEAMED UNDERMOUNT)

INSIDE SINK DIMENSIONS

	Length	×	Width	×	Depth
inches	11¼		14¼		7
(mm)	(286)		(362)		(178)
inches	17⅝		19¼		9
(mm)	(448)		(489)		(229)

For an explanation of installation options, see *Installation/Accessories*.

All drain holes in sinks are nominally 3½" in diameter and accept all standard drain hardware, including waste disposal units.

Metric conversions are approximate.



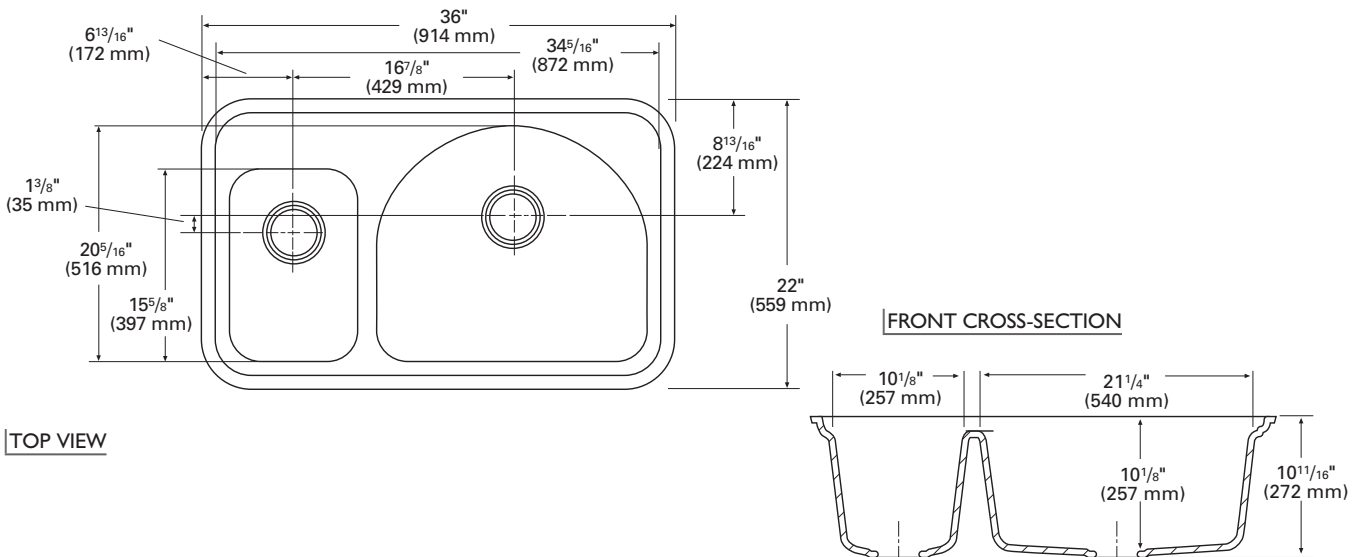
corian.

902

Double Sink

"D" shape bowl in combination with deep food prep sink brings beauty and performance to the kitchen.

- ▶ The deepest Corian® sink combination—both bowls are deeper than 10" when undermounted
- ▶ The recessed spillway catches water overflow
- ▶ A recessed faucet allows for easy cleanup
- ▶ Fits into a 36" or larger base cabinet
- ▶ See *Color Options* page at the beginning of Sinks Section for available colors



902 (SEAMED UNDERMOUNT)

INSIDE SINK DIMENSIONS

	Length	×	Width	×	Depth
inches	10¼		15⅝		10⅞
(mm)	(260)		(397)		(257)
inches	21¼		19¼		10⅞
(mm)	(540)		(489)		(257)

For an explanation of installation options, see *Installation/Accessories*.

All drain holes in sinks are nominally 3½" in diameter and accept all standard drain hardware, including waste disposal units.

Metric conversions are approximate.



corian.

Lavatories

Color Options

	Overflow Orientation	Bisque	Bone	Cameo White	Glacier White	Vanilla
810		●	●	●	●	●
810	No Overflow	●	●	●	●	●
810	Offset 4:30	●	●	●	●	
810	Side	●	●	●	●	●
810	Back	●	●	●	●	●
815		●	●	●	●	●
815	No Overflow	●	●	●	●	
815	Offset 4:30	●	●	●	●	
815	Side	●	●	●	●	
816		●	●	●	●	●
816	No Overflow	●	●	●	●	
816	Offset 4:30	●	●	●	●	
816	Side	●	●	●	●	
820		●	●	●	●	●
820	No Overflow	●	●	●	●	
820	Offset 4:30	●	●	●	●	
820	Side	●	●	●	●	
830		●	●	●	●	●
831		●	●	●	●	●
835		●	●	●	●	●
837		●	●	●	●	●
810P		●	●	●	●	

All Corian® lavatories comply with ADA (Americans with Disabilities Act) requirements as interpreted by ANSI Standard A117.1 when installed according to DuPont guidelines developed to meet these requirements.

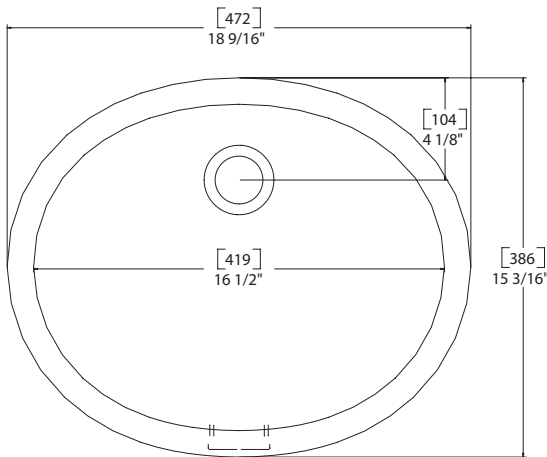


corian.

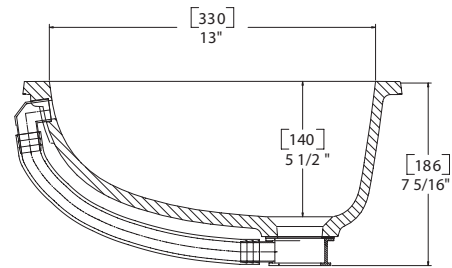
810

Enjoy the simple, timeless style of this proven performer.

- ▶ Coordinates with Corian® vanity tops for a seamless, easy-to-clean surface
- ▶ Nonporous surface resists mold, mildew and stains
- ▶ Suitable for multibowl installations in both residential and commercial settings
- ▶ See *Color Options* page at the beginning of Lavatories Section for available colors



TOP VIEW



SIDE CROSS-SECTION

810 (SEAMED UNDERMOUNT)

INSIDE BOWL DIMENSIONS

	Length	×	Width	×	Depth
inches	16½		13		5½
(mm)	(419)		(330)		(140)

For an explanation of installation options, see *Installation/Accessories*.

All drain holes in lavatories are nominally 1¾" in diameter and accept all standard drain hardware.

Metric conversions are approximate.

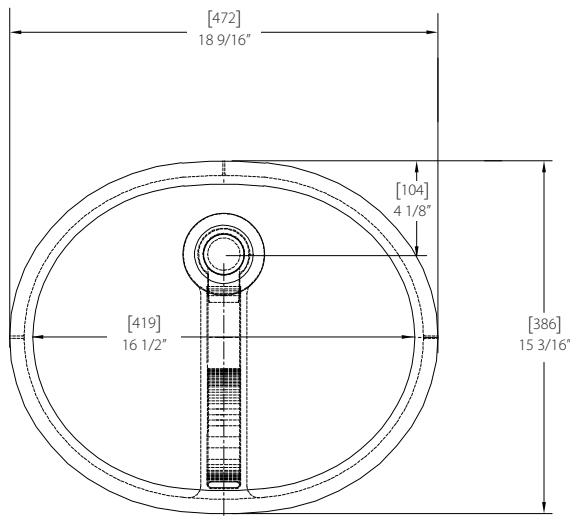


corian.

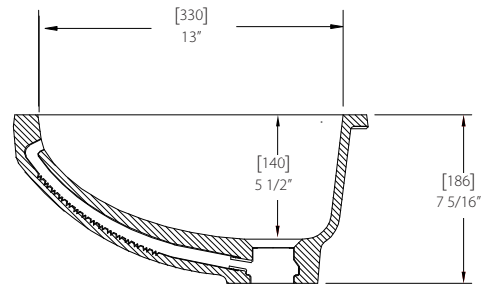
810P

Enjoy the simple, timeless style of this proven performer.

- ▶ Coordinates with DuPont™ Corian® solid surface vanity tops for a seamless, easy-to-clean surface
- ▶ Nonporous surface, that with proper cleaning, resists mold, mildew and stains
- ▶ Suitable for multibowl installations in both residential and commercial settings
- ▶ Colors offered are comparable to Corian® Bone, Bisque, Cameo White and Glacier White
- ▶ Made from a polyester blend material
- ▶ Contains an integral overflow



TOP VIEW



SIDE CROSS-SECTION

810P (SEAMED UNDERMOUNT)

INSIDE BOWL DIMENSIONS

	Length	×	Width	×	Depth
inches	16½		13		5½
(mm)	(419)		(330)		(140)

For an explanation of installation options, see *Installation/Accessories*.

All drain holes in lavatories are nominally 1¾" in diameter and accept all standard drain hardware.

Metric conversions are approximate.

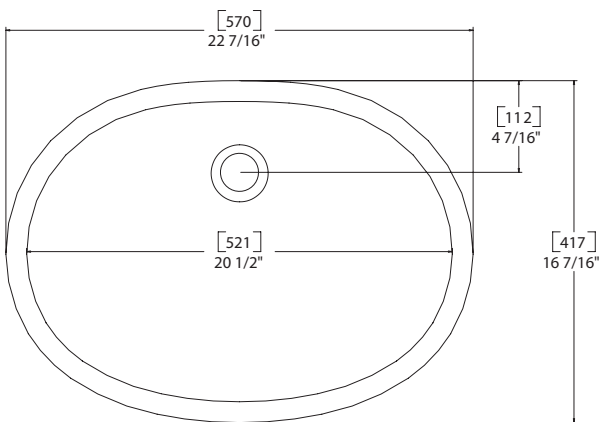


corian.

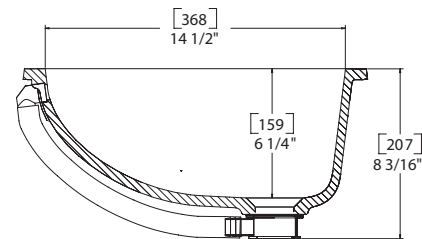
815

This large-capacity oval bowl brings elegance and performance to any bathroom design.

- ▶ Coordinates with Corian® vanity tops for a seamless, easy-to-clean surface
- ▶ Nonporous surface resists mold, mildew and stains
- ▶ Suitable for multibowl installations in both residential and commercial settings
- ▶ See *Color Options* page at the beginning of Lavatories Section for available colors



TOP VIEW



SIDE CROSS-SECTION

815 (SEAMED UNDERMOUNT)

INSIDE BOWL DIMENSIONS

	Length	×	Width	×	Depth
inches	20½		14½		6¼
(mm)	(521)		(368)		(159)

For an explanation of installation options, see *Installation/Accessories*.

All drain holes in lavatories are nominally 1¾" in diameter and accept all standard drain hardware.

Metric conversions are approximate.

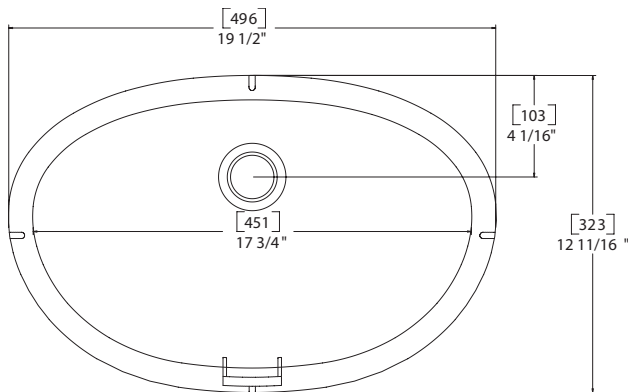


corian.

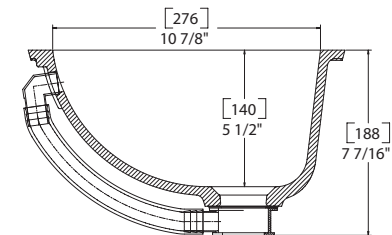
816

Add enduring elegance with this elongated oval bowl for narrow-depth vanities.

- ▶ Offers a seamless, easy-to-clean surface when coordinated with Corian® vanity tops
- ▶ Nonporous surface inhibits growth of mold and mildew
- ▶ Suitable for multibowl installations in both residential and commercial settings
- ▶ See *Color Options* page at the beginning of Lavatories Section for available colors



TOP VIEW



SIDE CROSS-SECTION

816 (SEAMED UNDERMOUNT)

INSIDE BOWL DIMENSIONS

	Length	×	Width	×	Depth
inches	17 ³ / ₄		10 ⁷ / ₈		5 ¹ / ₂
(mm)	(451)		(276)		(140)

For an explanation of installation options, see *Installation/Accessories*.

All drain holes in lavatories are nominally 1³/₄" in diameter and accept all standard drain hardware.

Metric conversions are approximate.

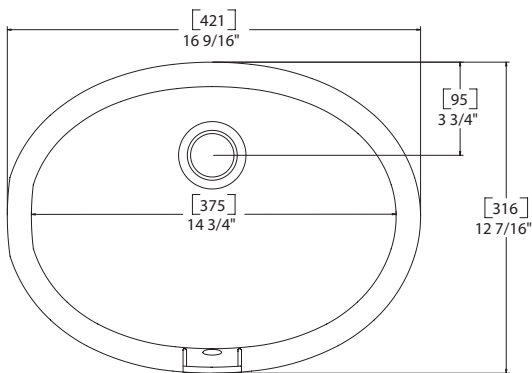


corian.

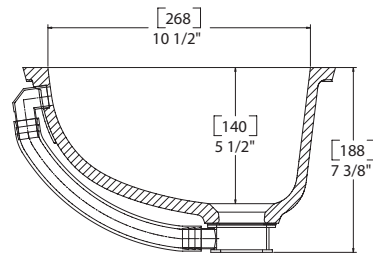
820

This small, traditional bowl is ideal for narrow-depth vanity top designs.

- ▶ Offers a seamless, easy-to-clean surface when coordinated with Corian® vanity tops
- ▶ Nonporous surface inhibits growth of mold and mildew
- ▶ Suitable for multibowl installations in both residential and commercial settings
- ▶ See *Color Options* page at the beginning of Lavatories Section for available colors



TOP VIEW



SIDE CROSS-SECTION

820 (SEAMED UNDERMOUNT)

INSIDE BOWL DIMENSIONS

	Length	×	Width	×	Depth
inches	14¾		10½		5½
(mm)	(375)		(268)		(140)

For an explanation of installation options, see *Installation/Accessories*.

All drain holes in lavatories are nominally 1¾" in diameter and accept all standard drain hardware.

Metric conversions are approximate.

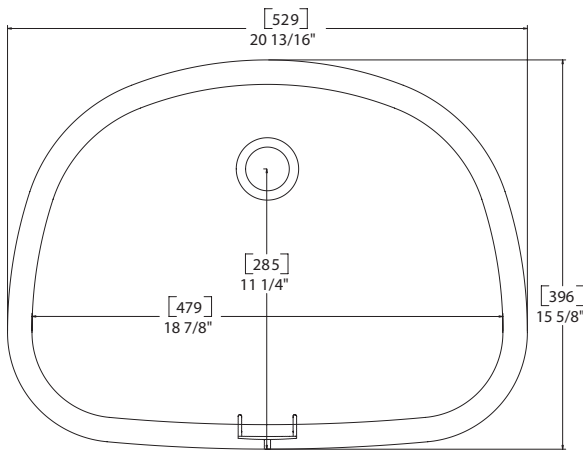


corian.

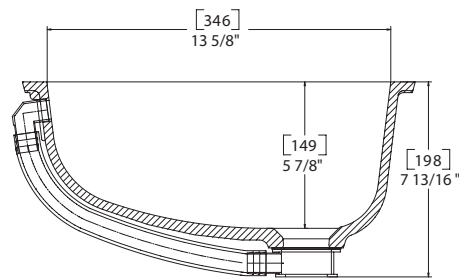
830

Enjoy beauty and practicality at home or work with this spacious bowl.

- ▶ Coordinates with Corian® vanity tops for a seamless, one-piece look
- ▶ See *Color Options* page at the beginning of Lavatories Section for available colors



TOP VIEW



SIDE CROSS-SECTION

830 (SEAMED UNDERMOUNT)

INSIDE BOWL DIMENSIONS

	Length	×	Width	×	Depth
inches	18 ⁵ / ₈		13 ⁵ / ₈		5 ⁷ / ₈
(mm)	(479)		(346)		(149)

For an explanation of installation options, see *Installation/Accessories*.

All drain holes in lavatories are nominally 1³/₄" in diameter and accept all standard drain hardware.

Metric conversions are approximate.

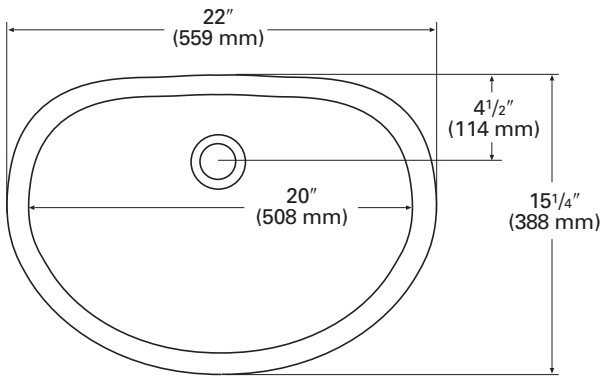


corian.

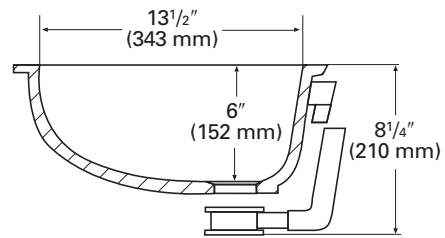
831

This stylish and roomy bowl is a great addition to both residential and commercial settings.

- ▶ Alternate overflow location adds flexibility to your design
- ▶ Coordinates with Corian® vanity tops for a seamless, one-piece look
- ▶ See *Color Options* page at the beginning of Lavatories Section for available colors



TOP VIEW



SIDE CROSS-SECTION

831 (SEAMED UNDERMOUNT)

INSIDE BOWL DIMENSIONS

	Length	×	Width	×	Depth
inches	20		13½		6
(mm)	(508)		(343)		(152)

For an explanation of installation options, see *Installation/Accessories*.

All drain holes in lavatories are nominally 1¾" in diameter and accept all standard drain hardware.

Metric conversions are approximate.

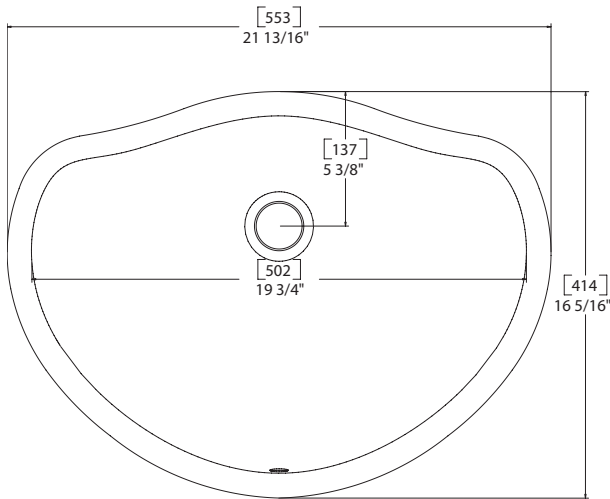


corian.

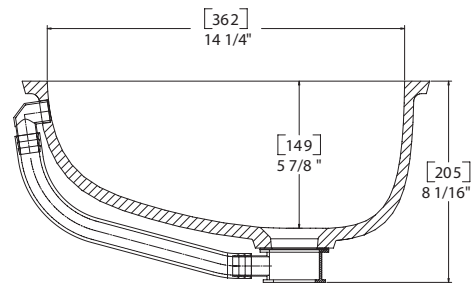
835

Gentle curves add a graceful look to any bathroom.

- ▶ Vanity top flows into bowl, creating a seamless appearance
- ▶ Won't promote growth of mold or mildew
- ▶ Large-capacity, "flowing-D" shape bowl
- ▶ See *Color Options* page at the beginning of Lavatories Section for available colors



TOP VIEW



SIDE CROSS-SECTION

835 (SEAMED UNDERMOUNT)

INSIDE BOWL DIMENSIONS

	Length	×	Width	×	Depth
inches	19¾		14¼		5⅞
(mm)	(502)		(362)		(149)

For an explanation of installation options, see *Installation/Accessories*.

All drain holes in lavatories are nominally 1¾" in diameter and accept all standard drain hardware.

Metric conversions are approximate.

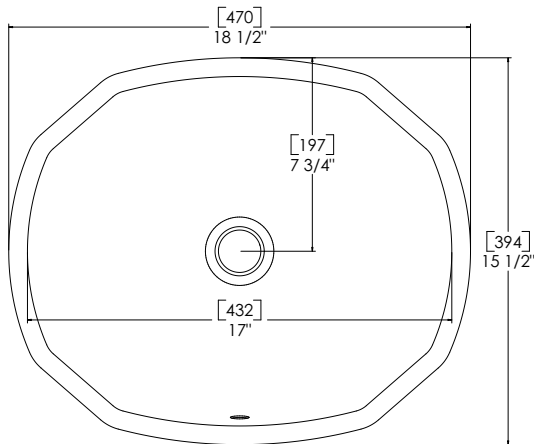


corian.

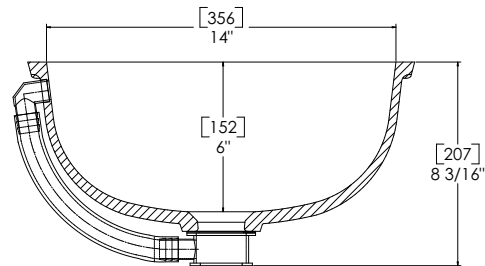
837

Stylish yet timeless design.

- ▶ Bowl provides plenty of depth, while minimal trim diameter ensures generous vanity space
- ▶ Perfect for a full bathroom, powder room or commercial installation
- ▶ See *Color Options* page at the beginning of Lavatories Section for available colors



TOP VIEW



SIDE CROSS-SECTION

837 (SEAMED UNDERMOUNT)

INSIDE BOWL DIMENSIONS

	Length	×	Width	×	Depth
inches	17		14		6
(mm)	(432)		(356)		(152)

For an explanation of installation options, see *Installation/Accessories*.

All drain holes in lavatories are nominally 1 3/4" in diameter and accept all standard drain hardware.

Metric conversions are approximate.



corian.

One-Piece Vanity Tops & Bowls

Color Options

	100 SERIES	300 SERIES
	Uniform Color	
Bisque	●	
Bone	●	
Cameo White	●	
Glacier White	●	
Vanity Top/Bowl		
Antarctica/Glacier White		●
Aurora/Bone		●
Linen/Bisque		●
Savannah/Cameo		●



corian.

- ▶ Vanity top flows seamlessly into a spacious bowl for attractive appearance and easy care
- ▶ Includes integral covered backsplash
- ▶ Optional sidesplashes available
- ▶ Includes predrilled holes or hole-drill templates for easy installation
- ▶ Thick front-edge treatment provides a custom look
- ▶ Available in a variety of sizes and bowl positions
- ▶ See *Color Options* page at the beginning of One-Piece Vanity Tops & Bowls Section for available colors

100 Series Vanity Top—Single Bowl



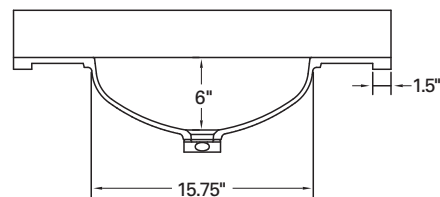
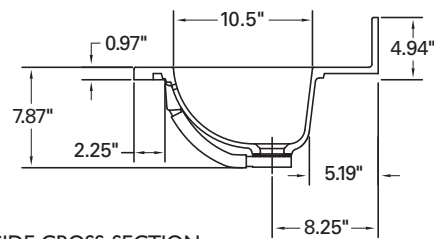
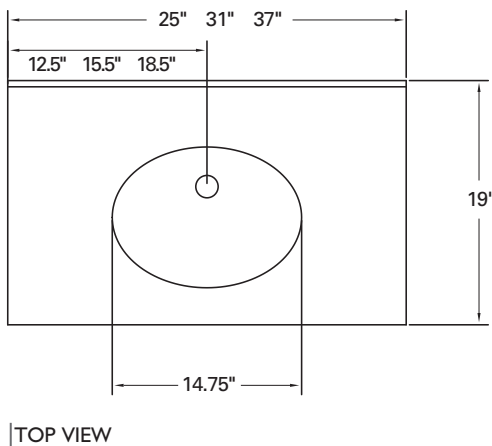
Vanity top with bowl in the same color creates a surface with a sleek, continuous look.

300 Series Vanity Top—Single Bowl



Vanity top with bowl in contrasting color adds elegance to the bathroom.

19" Single Vanity Top & Bowl



One-Piece Vanity Top—Double Bowl

100 Series
300 Series

100 Series Vanity Top—Double Bowl



Gain more elbow room with these large, solid-color vanity tops in double-bowl styles. Great for residential and commercial applications.

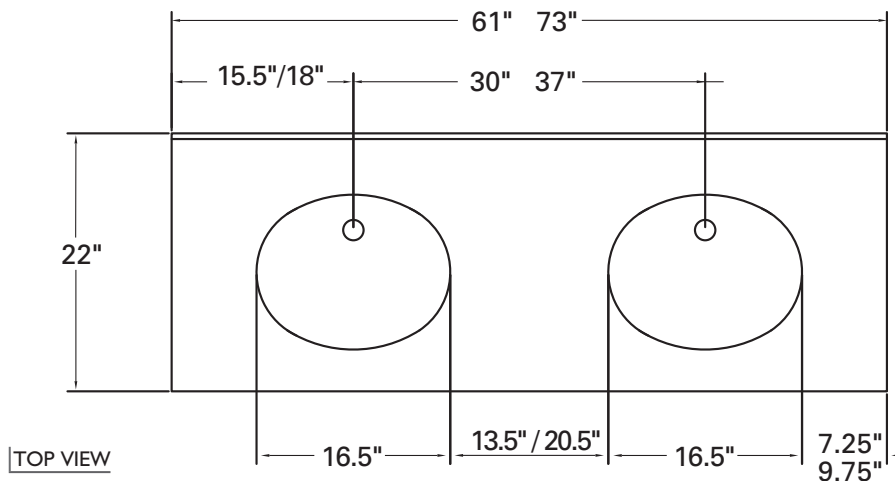
300 Series Vanity Top—Double Bowl



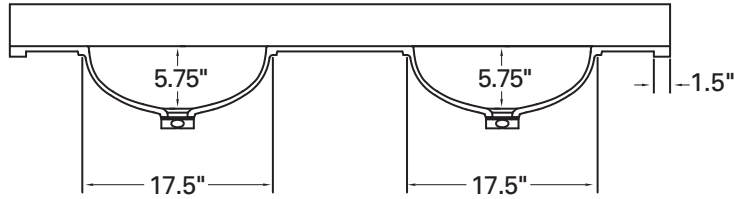
Add elegance and practicality to the bath with this double-bowl/vanity combination in contrasting colors and textures.

- ▶ Vanity top flows seamlessly into a spacious bowl for attractive appearance and easy cleaning
- ▶ Includes integral covered backsplash
- ▶ Optional sidesplashes available
- ▶ Includes predrilled holes or hole-drill templates for easy installation
- ▶ Thick front-edge treatment provides a custom look
- ▶ See *Color Options* page at the beginning of One-Piece Vanity Tops & Bowls Section for available colors

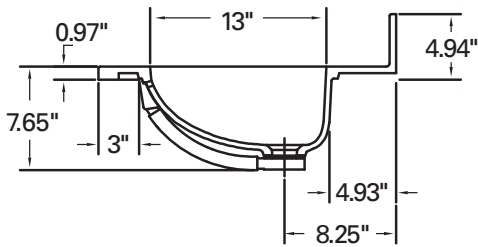
22" Double Vanity Top & Bowls



22" Double Vanity Top & Bowls



FRONT CROSS-SECTION



SIDE CROSS-SECTION

DIMENSIONS

Overall Size		Bowl Position	Bowl Size			
Width	Length		Length	Width	Depth	
DOUBLE BOWLS						
inches	22	61	15½"–LR–15½"	16½	13	5¾
(mm)	(560)	(1,550)		(419)	(330)	(146)
inches	22	73	18"–LR–18"			
(mm)	(560)	(1,854)				

All vanity tops are available with 4", 8", special-request or no faucet drillings.

All drain holes in vanity tops and bowls are nominally 1¾" in diameter and accept all standard drain hardware.

Edge radii are ⅛".

Metric conversions are approximate.

* C–Center, L–Left, R–Right. For noncentered bowls, bowl positions are shown in inches from edge of top to center of drain. Note: Please contact DuPont where minimum tolerance is critical.

Ready-To-Install Tub and Shower Surround Kits

	Aurora	Bisque	Bone	Cameo White	Glacier White	Linen
3-WALL TUB SURROUND						
fits a 30" x 60" bathtub; panels are 60" high	●	●	●	●	●	●
fits a 30" x 60" bathtub; panels are 72" high	●	●	●	●	●	●
fits a 32" x 60" bathtub; panels are 60" high	●	●	●	●	●	●
fits a 32" x 60" bathtub; panels are 72" high	●	●	●	●	●	●
2-WALL SHOWER SURROUND						
fits a 36" x 36" shower pan; panels are 72" high	●	●	●	●	●	●
fits a 38" x 38" shower pan; panels are 72" high	●	●	●	●	●	●
3-WALL SHOWER SURROUND						
fits a 36" x 36" shower pan; panels are 72" high	●	●	●	●	●	●
fits a 36" x 36" shower pan; panels are 96" high	●	●	●	●	●	●
fits a 36" x 48" shower pan; panels are 72" high	●	●	●	●	●	●
fits a 36" x 48" shower pan; panels are 96" high	●	●	●	●	●	●
fits a 36" x 60" shower pan; panels are 72" high	●	●	●	●	●	●
fits a 36" x 60" shower pan; panels are 96" high	●	●	●	●	●	●
OPTIONAL TRIM PIECES**						
2 1/4" wide x 96" high	●	●	●	●	●	●

* Any of the other available 1/4" sheet colors can be used for a custom tub or shower surround installation through a Certified Fabricator of Corian®. Ask your retailer for details.

** Sold separately. Same pieces used for both 60" and 72" tub surround kits and 72" and 96" shower surround kits.



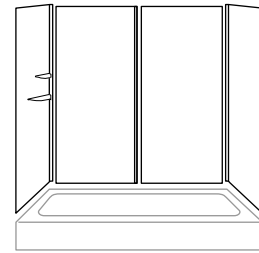
corian.



Ready-To-Install 3-Wall Tub Surround Kit*

Create an attractive bath solution with this prepackaged tub surround kit.

- ▶ Easy-to-clean, nonporous surface resists mold and mildew
- ▶ Easily installs over existing stable tile using Trim Pieces from DuPont™ Corian®
- ▶ Smooth wall panels eliminate the need for grout
- ▶ Semigloss finish reduces visible water spotting
- ▶ Curved corners eliminate hard-to-clean crevices
- ▶ Convenient shelves hold soap and shampoo
- ▶ Coordinates with One-Piece Vanity Tops & Bowls and custom products from DuPont™ Corian®



AVAILABLE IN 60" AND 72" HEIGHTS

Components for tub surrounds

EACH KIT CONTAINS

- 4 — wall panels
- 1 — soap shelf
- 1 — shampoo shelf
- 2 — corner-filler inserts
 - color-match silicone sealant
 - soap and shampoo shelf adhesive
 - shims
 - installation guide and video

KIT IS AVAILABLE IN FOUR SIZES

- ▶ fits a 30" × 60" bathtub; panels are 60" high
- ▶ fits a 30" × 60" bathtub; panels are 72" high
- ▶ fits a 32" × 60" bathtub; panels are 60" high
- ▶ fits a 32" × 60" bathtub; panels are 72" high

* ¼" sheet colors can be used for a custom tub or shower surround installation through a Certified Fabricator of Corian®. Ask your retailer for details.

** Sold separately. Same pieces used for both 60" and 72" tub surround kits.

OPTIONAL TRIM PIECES**

Use when installing Corian® Tub Surrounds over existing tile, or when creating a more custom look.
2—2¼" wide × 96" high trim pieces

Additional items needed for installation:

- ▶ Quality grade of 100% silicone for adhesive
- ▶ Hot-melt glue sticks
- ▶ 120-grit sandpaper
- ▶ Denatured alcohol

Tools for assembly:

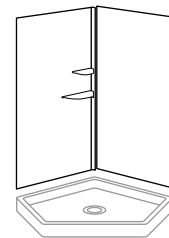
- ▶ Belt sander, circular saw **or** jigsaw, router with single-flute, carbide-tipped bit **or** power drill with hole-cutter bit or spade bit
- ▶ Hot-melt glue gun, caulking gun



Ready-To-Install 2-Wall Shower Surround Kit*

Take advantage of this ready-to-install kit for no-nonsense installation straight out of the box.

- ▶ Easy-to-clean, nonporous surface resists mold and mildew
- ▶ Easily installs over existing stable tile using Trim Pieces from DuPont™ Corian®
- ▶ Smooth wall panels eliminate the need for grout
- ▶ Semigloss finish reduces visible water spotting
- ▶ Curved corners eliminate hard-to-clean crevices
- ▶ Convenient shelves hold soap and shampoo
- ▶ Coordinates with One-Piece Vanity Tops & Bowls and custom products from DuPont™ Corian®



Shower pan not included

AVAILABLE IN 72" HEIGHT

Components for neo-angled or double-threshold shower surrounds

EACH KIT CONTAINS

- 2 — wall panels
- 1 — soap shelf
- 1 — shampoo shelf
- 1 — corner-filler insert
 - color-match silicone sealant
 - soap and shampoo shelf adhesive
 - shims
 - installation guide and video

KIT IS AVAILABLE IN TWO SIZES

- ▶ fits a 36" × 36" shower pan; panels are 72" high
- ▶ fits a 38" × 38" shower pan; panels are 72" high

OPTIONAL TRIM PIECES**

Use when installing Corian® Shower Surrounds over existing tile, or when creating a more custom look.

2—2 1/4" wide × 96" high trim pieces

Additional items needed for installation:

- ▶ Quality grade of 100% silicone for adhesive
- ▶ Hot-melt glue sticks
- ▶ 120-grit sandpaper
- ▶ Denatured alcohol

Tools for assembly:

- ▶ Belt sander, circular saw **or** jigsaw, router with single-flute, carbide-tipped bit **or** power drill with hole-cutter bit or spade bit
- ▶ Hot-melt glue gun, caulking gun

* 1/4" sheet colors can be used for a custom tub or shower surround installation through a Certified Fabricator of Corian®. Ask your retailer for details.

** Sold separately.



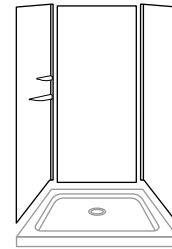
corian.



Ready-To-Install 3-Wall Shower Surround Kit*

An easy-to-install, prepackaged kit.

- ▶ Easy-to-clean, nonporous surface resists mold and mildew
- ▶ Easily installs over existing stable tile using Trim Pieces from DuPont™ Corian®
- ▶ Smooth wall panels eliminate the need for grout
- ▶ Semigloss finish reduces visible water spotting
- ▶ Curved corners eliminate hard-to-clean crevices
- ▶ Convenient shelves hold soap and shampoo
- ▶ Coordinates with One-Piece Vanity Tops & Bowls and custom products from DuPont™ Corian®



Shower pan not included

AVAILABLE IN 72" AND 96" HEIGHTS

Components for square or rectangular shower surrounds

EACH KIT CONTAINS

- 3 — wall panels**
- 1 — soap shelf
- 1 — shampoo shelf
- 2 — corner-filler inserts
 - color-match silicone sealant
 - soap and shampoo shelf adhesive
 - shims
 - installation guide and video

KIT IS AVAILABLE IN SIX SIZES

- ▶ fits a 36" x 36" shower pan; panels are 72" high
- ▶ fits a 36" x 36" shower pan; panels are 96" high
- ▶ fits a 36" x 48" shower pan; panels are 72" high
- ▶ fits a 36" x 48" shower pan; panels are 96" high
- ▶ fits a 36" x 60" shower pan; panels are 72" high**
- ▶ fits a 36" x 60" shower pan; panels are 96" high**

OPTIONAL TRIM PIECES***

Use when installing Corian® Shower Surrounds over existing tile, or when creating a more custom look.

2—2 1/4" wide x 96" high trim pieces

Additional items needed for installation:

- ▶ Quality grade of 100% silicone for adhesive
- ▶ Hot-melt glue sticks
- ▶ 120-grit sandpaper
- ▶ Denatured alcohol

Tools for assembly:

- ▶ Belt sander, circular saw **or** jigsaw, router with single-flute, carbide-tipped bit **or** power drill with hole-cutter bit or spade bit
- ▶ Hot-melt glue gun, caulking gun

* 1/4" sheet colors can be used for a custom tub or shower surround installation through a Certified Fabricator of Corian®. Ask your Retailer for details.

** 36" x 60" kits contain 4 wall panels.

*** Sold separately. Same pieces used for both 72" and 96" shower surround kits.

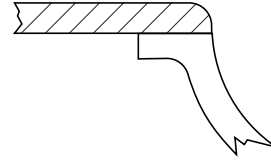


corian.

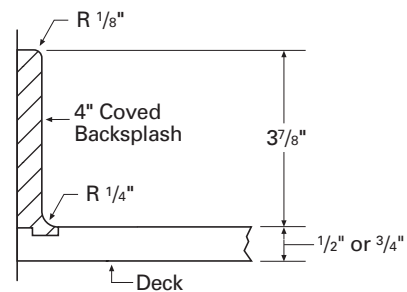
Sink/Lavatory Mounting Method**SEAMED UNDERMOUNT**

- ▶ Countertop flush with bowl
- ▶ Bowl has *square* top edge
- ▶ Seam-Joint Adhesive

Note: Requires special tooling. See your local Authorized Distributor for Corian® for details.

**COVERED BACKSPLASH**

- ▶ Quick, easy installation using Joint Adhesive from DuPont™ Corian®
- ▶ Non-silicone seams create a one-piece countertop and backsplash that is easy to clean
- ▶ Available in most colors



Sealant/Joint Adhesive Color Availability

Color	Sealant	Joint Adhesive	
		Bulk 470 ml	50 ml
Acorn		●	●
Adobe			●
Anthracite			●
Aztec Gold			●
Bisque		●	●
Black		●	●
Blue Pebble		●	●
Bone	●	●	●
Bronze Patina			●
Butter Cream			●
Cameo White	●	●	●
Canyon	●		
Canvas		●	●
Cargo		●	●
Chamois		●	●
Cinnabar			●
Cirrus White		●	●
Clear	●		
Coffee Bean			●
Concrete		●	●
Copperite		●	●
Dark Blue		●	●
Dark Brown		●	●
Dark Green		●	●
Dawn Beige		●	●
Doeskin		●	●
Dove		●	●
Dune	●	●	●
Dusty Rose		●	●
Ecru	●	●	●
Fawn		●	●
Flint		●	●
Glacier White	●	●	●
Graphic Blue			●
Gravel			●
Gray Fieldstone		●	●
Green Tea			●
Jewel		●	●
Light Green		●	●
Marine Blue			●
Medea			●
Moss	●	●	●
Natural Gray		●	●
Neutral		●	●

Color	Sealant	Joint Adhesive	
		Bulk 470 ml	50 ml
Olivite		●	●
Orange			●
Peach		●	●
Pearl Gray	●	●	●
Pewter		●	●
Pompeii Red			●
Purple			●
Raffia		●	●
Red		●	●
Rice Paper		●	●
Sage			●
Sand		●	●
Savannah	●		
Serene Sage		●	●
Shadow	●		●
Silt	●	●	●
Slate		●	●
Stone Harbor			●
Suede		●	●
Taupe		●	●
Tranquil		●	●
Translucent White	●	●	●
Tumbled Glass		●	●
Verde		●	●
Whisper		●	●
Willow		●	●

1. Sealant for DuPont™ Corian® Solid Surfaces

For installing countertops, vanity tops, backsplashes and reveal edges, and for sealing tub and shower seams and edges, 10.3 oz (304 ml). See color availability chart.

2. Joint Adhesive for DuPont™ Corian® Solid Surfaces

For bonding Corian® solid surfaces together, 50 ml and 470 ml cartridges. See color availability chart.

3. Bulk Joint Adhesive (BJA) for DuPont™ Corian® Solid Surfaces

BJA cartridges are for bonding Corian® solid surfaces together, 15.83 oz (470 ml). See color availability chart. A BJA dispenser is required for mixing and dispensing.

4. BJA Dispenser

Air-operated dispensing gun. Use for Bulk Joint Adhesive cartridges, 15.83 oz (470 ml).

5. Mixer Tips

Accessories for the dispensers include mixer tips for 15.83 oz (470 ml) and 50 ml sizes.

6. Manual Bulk Dispenser

Operates similar to caulking gun. Use for Bulk Joint Adhesive cartridges, in both sizes 15.83 oz (470 ml) and 50 ml.

7. Nomex® Felt Tape

Used for hot and cold food service and buffet counters. Each roll is 17 yards in length.

8. Heat-Conductive Tape

Self-adhesive, .004" thick aluminum tape. Available in 2" x 180' rolls.

9. Scotch-Brite® Pads

To select the proper Scotch-Brite® pad for your project, ask your local Authorized Distributor for Corian®.

Scotch-Brite® is a registered trademark of 3M.



corian.